

Industrial Rigmaster™ LED Series Luminaires

Enclosed and Gasketed Fixtures

NEC/CEC:
cCSAus Listed
Type 3R, 4, 4X
IP66

NEC/CEC:
Suitable for Use in Wet Locations
Marine Outside Type (Salt Water) For USA Only
American Bureau of Shipping (ABS) Certified

Applications

- For use in locations where:
 - Low clearance heights are needed
 - A high degree of corrosion resistance is required
 - Protection against dirt, water and moisture is necessary
- Typical industries include:
 - Waste and sewer treatment
 - Pulp and paper mills
 - Food processing plants
 - Foundries
 - General manufacturing facilities
 - Underground tunnels



Features

- Lightweight design makes mounting and installation easy.
- Low fixture profile allows installation in compact spaces.
- Two sizes and output options deliver up to 7650 lumens.

Nominal Lumens ①	Fluorescent Equivalent			Model Number
	Lamp Wattage	Lamp Type	Quantity	
4390	32W	T8	2	IRM*2
7650	32W	T8	3	IRM*4

① Nominal lumen value for 5000K, clear Lens. Detailed lumen information is provided in data tables.

- Choice of clear or diffused polycarbonate lens for optimal work plane brightness in a variety of applications.
- Choice of color temperature (CCT): 5000K cool white, 4000K neutral white or 3000K warm white with minimum 80 CRI.
- Field replaceable lens and LED driver.
- Three unique mounting bracket options allow for mounting in any location and retrofitting third party fixtures.
- For ease of retrofitting, mounting brackets accommodate most bolt patterns for Crouse-Hinds™ †, Dialight™* and other manufacturers. See compatibility chart below on page 7.
- Wirenuts and screw terminal block② option for added flexibility.
- Hinged wire compartment cover is secured with captive screws for safety and convenience.
- Loop in/out wiring capability for inter connecting fixtures
- Standard screw-type terminal block can accept UL/CSA 22-12 AWG wire.
- 5 casted points for secondary safety retention.
- Standard 6 kV surge protection.
- Fixture position locking mechanism provides ease and consistency of aiming.
- Rugged housing with superior thermal design translates to long luminaire life.
- Ambient Temperature: -40°C to +65°C (-40°F to +149°F)
- LED L70 of 60,000 hours reported at +65°C (+149°F).
- Photometric data and electronic drawings available upon request.

Options

- Brackets can be factory installed or purchased separately
- Safety cable can be purchased separately or configured as an add on option to be shipped with the LED fixture.
- Standard ¼" NPT threads with ½" option.
- Clear Polycarbonate lens or Diffused Lens.
- Wirenuts or screw terminal blocks ② available

Standard Materials

- Housing: copperfree (4/10 of 1% max.) aluminum
- Lens: thermal shock- and impact-resistant polycarbonate lens
- Gasket: silicone rubber, mechanically secured
- Bolts: stainless steel
- Close up plugs: aluminum
- Mounting brackets: Zinc plated steel

Standard Finishes

- Housing: gray epoxy powder coat finish, electrostatically applied for complete uniform protection

NEC/CEC Certifications and Compliances

- UL Standard: UL 1598 Ed. 4; UL 8750 Ed. 2; UL 50E Ed. 2, UL 1598A Ed. 1
- CSA Standard: C22.2 No. 250.0-18; C22.2 No. 250.13-17; C22.2 No. 94.2-15
- ANSI/IEC Standard: 60529
- cCSAus: 164460, Certificate Number: 70208309

DesignLights™ Consortium

- Check DLC QPL for current list of products.

Related Products

- Rigmaster LED Luminaires

† Crouse-Hinds is a registered trademark of Eaton Corporation.

* Dialight is a registered trademark of Dialight.

② Terminal block option available for BU voltage configuration only.

Industrial Rigmaster™ LED Series Luminaires

Enclosed and Gasketed Fixtures

NEC/CEC:
cCSAus Listed
Type 3R, 4, 4X
IP66

NEC/CEC:
Suitable for Use in Wet Locations
Marine Outside Type (Salt Water) For USA Only
American Bureau of Shipping (ABS) Certified

Illustrated Features

LED Flexibility and Modular Design



Hinged wirebox cover with captive screws allow hassle free installation in challenging conditions and prevents accidental disengagement to enhance workplace safety



Notched position locking mechanism enables fixture to be aimed consistently



Five points for secondary retention provide protection against infield vibration.



Rigmaster offers two NPT hubs on each end for through wiring. The leads are placed outside the wiring compartment to facilitate plug n play installation so customers can save time and bypass unscrewing the cover

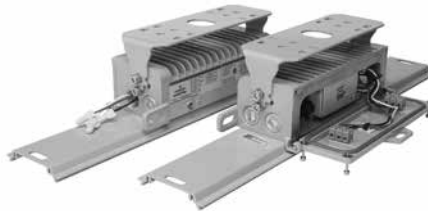
Choose from **three color temperatures** (CCT): 3000K, 4000K, and 5000K

Standard linear light distribution pattern: wide distribution maximizes spread and work plane brightness to optimize number of luminaires needed

Configurable Options



Mounting Brackets ④: Choose to mount your Rigmaster using one of three distinctly designed brackets to best suit your installation needs. All brackets can be factory installed to save time in the field or purchased separately.



Wirenuts or Screw Terminal Blocks: Choose between wirenuts and screw terminal blocks ③④ for ease of field installation. Terminal blocks support UL/CSA 22 to 12 AWG wire.



Clear or Diffused Polycarbonate Lens: Select a clear or diffused polycarbonate lens for the optimal level of work plane brightness and visual comfort. These lenses are field interchangeable for convenience and flexibility

Safety Features



Safety cables can be purchased separately or included with fixture to reduce ordering and receiving complexity

③ Terminal block option available for BU voltage configuration only.

④ Brackets and safety cables can be ordered separately or included with fixture. See Ordering Table for more information.

Industrial Rigmaster™ LED Series Luminaires

Enclosed and Gasketed Fixtures

NEC/CEC:
cCSAus Listed
Type 3R, 4, 4X
IP66

NEC/CEC:
Suitable for Use in Wet Locations
Marine Outside Type (Salt Water) For USA Only
American Bureau of Shipping (ABS) Certified

Order using catalog numbering guides below.

<p>IRM</p> <p>Series: IRM - Industrial Rigmaster Linear LED</p> <p>Mounting: N - If None (Use if Ordering Appleton Bracket Separately) A - Small Swivel Bracket B - Large Swivel Bracket L - Low Profile Bracket</p>	<p>A</p>	<p>2</p> <p>Lumen (nominal) ②: 2 - 4,390 Lumens (2') 4 - 7,650 Lumens (4')</p>	<p>2</p> <p>Hub Size ①: 1 - (4) 1/2" NPT 2 - (4) 3/4" NPT</p>	<p>C</p> <p>Color Temperature: C - Cool 5000K N - Neutral 4000K W - Warm 3000K</p>	<p>D</p> <p>Lens Material D - Diffused Polycarbonate P - Clear Polycarbonate</p>	<p>L</p> <p>Light Distribution Pattern: L - Linear Pattern</p>	<p>BU</p> <p>Voltage BU - 120-277 Vac; 125-300 Vdc BH - 347-480 Vac</p>	<p>N</p> <p>Emergency: N - If None (Standard)</p>	<p>G</p> <p>Color: G - Appleton Gray (Standard)</p>	<p>W</p> <p>Wiring Method: W - Wire Nuts (Standard) T - Fixed Terminal Block③</p>	<p>2</p> <p>Option④: Blank - If None 1 - (1) Safety Cable 2 - (2) Safety Cables</p>
---	-----------------	---	--	---	---	---	--	--	--	--	--

APPLETON™
LED LINEAR: NEC/CEC ENCLOSED AND GASKETED

① 3 close up plugs are provided for conduit hubs.
② For lumen output information, see Lumen Values Table.
③ Terminal block option available for BU voltage configuration only.
④ Brackets and safety cables can be ordered separately or included with fixture. See Ordering Table for more information.

Industrial Rigmaster™ LED Series Luminaires

Enclosed and Gasketed Fixtures

NEC/CEC:
cCSAus Listed
Type 3R, 4, 4X
IP66

NEC/CEC:
Suitable for Use in Wet Locations
Marine Outside Type (Salt Water) For USA Only
American Bureau of Shipping (ABS) Certified

Lumen Values Table ①

Lumen Output (Efficacy) for Clear Polycarbonate		
	IRM*2	IRM*4
5000K CCT, 80 CRI	4390 (138)	7650 (146)
4000K CCT, 80 CRI	4230 (133)	7370 (140)
3000K CCT, 80 CRI	4160 (131)	7250 (138)
Lumen Output (Efficacy) for Diffused Polycarbonate		
	IRM*2	IRM*4
5000K CCT, 80 CRI	3310 (104)	5780 (110)
4000K CCT, 80 CRI	3190 (100)	5550 (106)
3000K CCT, 80 CRI	3140 (99)	5490 (105)

APPLETON™

LED LINEAR: NEC/CEC ENCLOSED AND GASKETED

① All lumen values are typical (tolerance +/- 10%)

Industrial Rigmaster™ LED Series Luminaires

Enclosed and Gasketed Fixtures

NEC/CEC:
cCSAus Listed
Type 3R, 4, 4X
IP66

NEC/CEC:
Suitable for Use in Wet Locations
Marine Outside Type (Salt Water) For USA Only
American Bureau of Shipping (ABS) Certified

Electrical Ratings ①

	Voltage	Input Power	Input Current (amp)	Power Factor	THD	Model
BU	120 Vac	33	0.28	>0.9	<20	IRM*2
	277 Vac	33	0.12	>0.9	<20	
	125 Vdc	33	0.27	NA	NA	
	300 Vdc	33	0.11	NA	NA	
BH	347 Vac	36	0.11	>0.9	<20	
	480 Vac	36	0.08	>0.9	<20	
BU	120 Vac	55	0.5	>0.9	<20	IRM*4
	277 Vac	55	0.2	>0.9	<20	
	125 Vdc	55	0.44	NA	NA	
	300 Vdc	55	0.18	NA	NA	
BH	347 Vac	57	0.16	>0.9	<20	
	480 Vac	57	0.12	>0.9	<20	

① All values are typical (tolerance +/-10%).


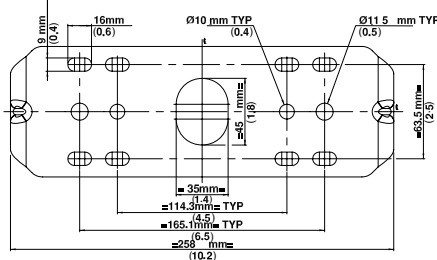

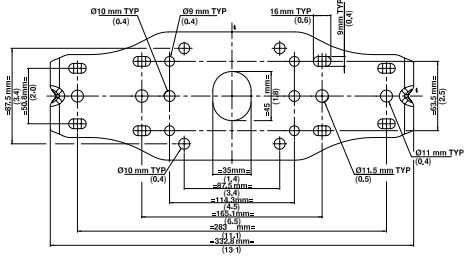

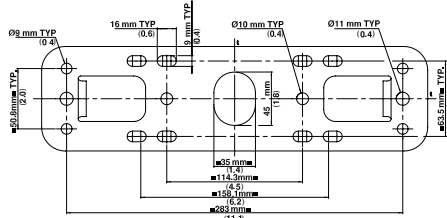
Industrial Rigmaster™ LED Series Luminaires

Enclosed and Gasketed Fixtures

NEC/CEC:
cCSAus Listed
Type 3R, 4, 4X
IP66

NEC/CEC:
Suitable for Use in Wet Locations
Marine Outside Type (Salt Water) For USA Only
American Bureau of Shipping (ABS) Certified

Standard Mounting Brackets

	Dimensions mm (in)	Description	Weight kg (lbs)	Catalog Number
	 <p>BRACKET MOUNTING SCREW M8X16mm LOCKING SCREW M8X16mm</p>	Small Swivel Bracket	0.74 (1.7)	RMSSB
	 <p>BRACKET MOUNTING SCREW M8X16mm LOCKING SCREW M8X16mm</p>	Large Swivel Bracket	1.1(2.4)	RMLSB
	 <p>BRACKET MOUNTING SCREW M8X16mm LOCKING SCREW M8X16mm LOCKING SCREWS DIAGONALLY OPPOSITE</p>	Low Profile Bracket	0.80 (1.8)	RMLPB

APPLETON™

LED LINEAR: NEC/CEC ENCLOSED AND GASKETED

Industrial Rigmaster™ LED Series Luminaires

Enclosed and Gasketed Fixtures

NEC/CEC:
cCSAus Listed
Type 3R, 4, 4X
IP66


NEC/CEC:
Suitable for Use in Wet Locations
Marine Outside Type (Salt Water) For USA Only
American Bureau of Shipping (ABS) Certified

Retrofit Bracket Compatibility Chart ①


For customers trying to retrofit an existing fixture, use the table below as a guide to select the best bracket to suit your needs

Manufacturer	Part Number	RMSSB Small Swivel Bracket	RMLSB Large Swivel Bracket	RMLPB Low Profile Bracket
Crouse Hinds™ ⁺	DP1057MTK	—	X	X
Dialight™ [*]	LTXW4	X	X	—
	LTXW4LP	—	X	X
AZZ™ Rig-A-Lite™ [®]	53050	X	X	—

Other Accessories and Replacement Parts

	Description	Catalog Numbers
Safety Cables	 Stainless Steel Safety Cables	LEDSC

Replacement Drivers

	Voltage	Driver Wattage	Luminaire Model	Constant Current Settings	Catalog Number
	BU	50W	IRM*2/RM*2	600mA	APM050C135UD060
	BH	50W	IRM*2/RM*2	600 mA	APM050C135HD060
	BU	50W	IRM*4/RM*4	1040 mA	APM050C135UD104
	BH	50W	IRM*4/RM*4	1040 mA	APM050C135HD104

① The above information is strictly for guidance purposes and does not guarantee compatibility and fit. Please carefully review bolt patterns on each bracket to ensure it meets your needs

+ Crouse-Hinds is a registered trademark of Eaton Corporation.

* Dialight is a registered trademark of Dialight.

® AZZ and Rig-A-Lite are registered trademarks of AZZ.



Industrial Rigmaster™ LED Series Luminaires

Enclosed and Gasketed Fixtures

NEC/CEC:
cCSAus Listed
Type 3R, 4, 4X
IP66

NEC/CEC:
Suitable for Use in Wet Locations
Marine Outside Type (Salt Water) For USA Only
American Bureau of Shipping (ABS) Certified

Replacement Lenses

	Description	Luminaire Model	Quantity per luminaire	Catalog Number
	Clear Polycarbonate Lens	IRM*2/RM*2	1	RMCL
		IRM*4/RM*4	2	
	Diffused Polycarbonate Lens	IRM*2/RM*2	1	RMDL
		IRM*4/RM*4	2	

Other Mounting Options

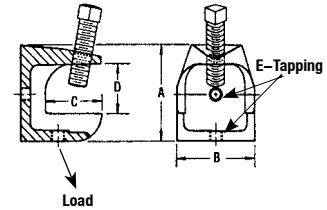
Dimensions in Millimeters (Inches)					Weight per 100 kg (lbs)	Catalog Number	Max Load kg (lbs)
A	B	C	D	E			

Beam Clamps



52.3 (2.06)	50.8 (2.00)	35.1 (1.38)	25.4 (1.00)	3/8 - 16	37.65 (83.00)	BH-502
----------------	----------------	----------------	----------------	----------	---------------	---------------

340.00
(750.00)



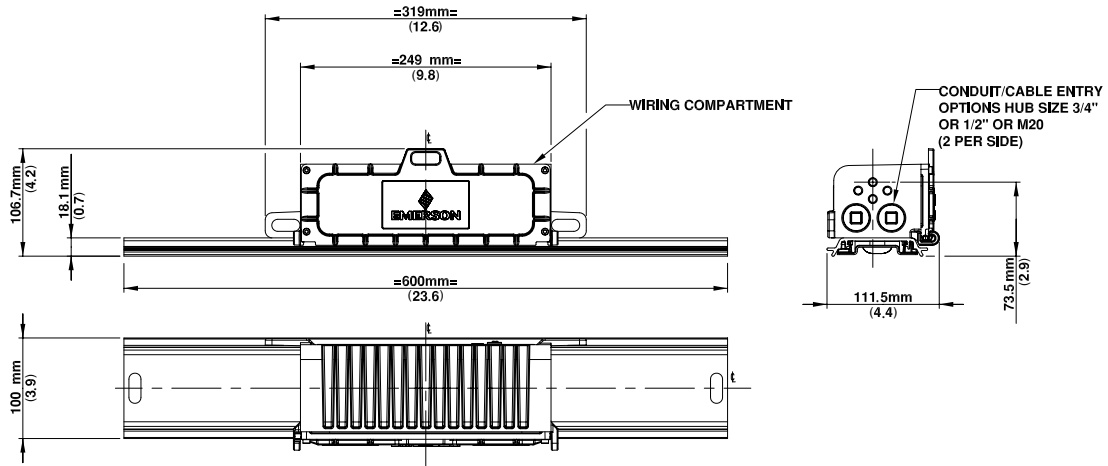
Industrial Rigmaster™ LED Series Luminaires

Enclosed and Gasketed Fixtures

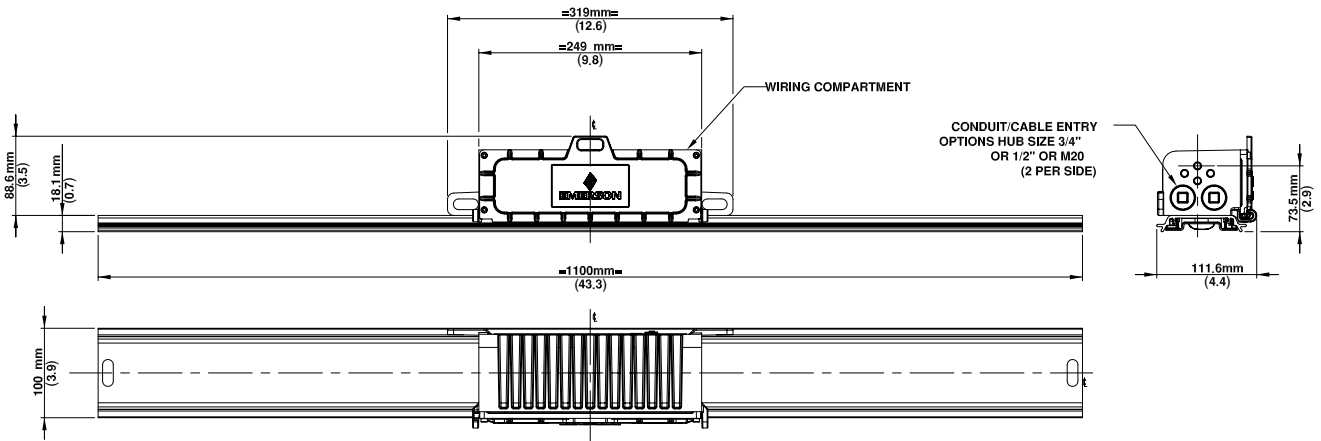
NEC/CEC:
cCSAus Listed
Type 3R, 4, 4X
IP66

NEC/CEC:
Suitable for Use in Wet Locations
Marine Outside Type (Salt Water) For USA Only
American Bureau of Shipping (ABS) Certified

Dimensions in Millimeters (Inches)



IRM*2



IRM*4

Model #	Product Length m (ft)	Product Weight kg (lb)
IRM*2	0.6 (2.0)	3.7 (8.2)
IRM*4	1.1 (3.6)	4.6 (10.1)

Note: weight of brackets are provided seperately

Industrial Rigmaster™ LED Series Luminaires

Enclosed and Gasketed Fixtures

NEC/CEC:
cCSAus Listed
Type 3R, 4, 4X
IP66

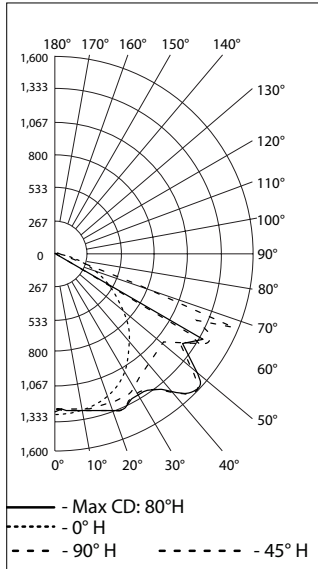
NEC/CEC:
Suitable for Use in Wet Locations
Marine Outside Type (Salt Water) For USA Only
American Bureau of Shipping (ABS) Certified

Photometric Data — DATA SHOWN IS ABSOLUTE

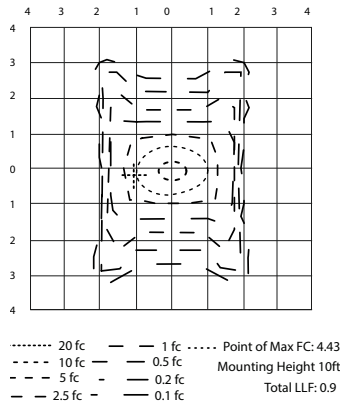
2ft, Clear Polycarbonate Lens, 5000K CCT

Luminaire Lumens 4,474.5

POLAR CANDELA DISTRIBUTION



ISOFOOTCANDLE PLOT



ZONAL LUMEN SUMMARY

Zone	Lumens	% Luminaire
0-30	1,056.6	23.6%
0-40	1,794.3	40.1%
0-60	3,627.9	81.1%
60-90	845.6	18.9%
70-100	254.1	5.7%
90-120	0.8	0%
0-90	4,473.4	100%
90-180	1.1	0%
0-180	4,474.5	100%

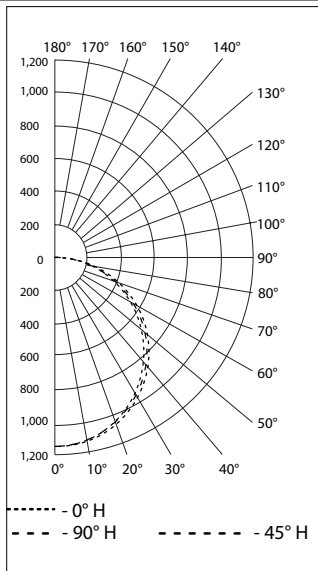
LUMENS PER ZONE

Zone	Lumens	% Total	Zone	Lumens	% Total
0-10	120.8	2.7%	90-100	0.7	0%
10-20	359.4	8.0%	100-110	0.1	0%
20-30	576.4	12.9%	110-120	0	0%
30-40	737.7	16.5%	120-130	0	0%
40-50	894.4	20.0%	130-140	0	0%
50-60	939.2	21.0%	140-150	0.0	0%
60-70	592.2	13.2%	150-160	0.1	0%
70-80	200.8	4.5%	160-170	0.1	0%
80-90	52.6	1.2%	170-180	0.0	0%

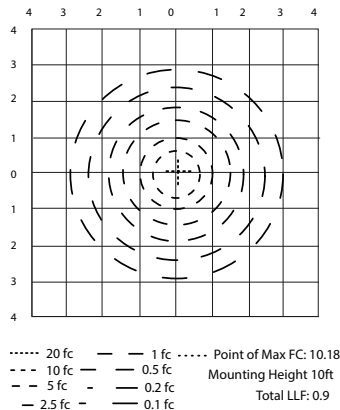
2ft, Diffused Polycarbonate Lens, 5000K CCT

Luminaire Lumens 3,452.9

POLAR CANDELA DISTRIBUTION



ISOFOOTCANDLE PLOT



ZONAL LUMEN SUMMARY

Zone	Lumens	% Luminaire
0-30	897.3	26%
0-40	1,482.0	42.9%
0-60	2,675.8	77.5%
60-90	775.1	22.4%
70-100	326.6	9.5%
90-120	1.8	0.1%
0-90	3,450.9	99.9%
90-180	2.0	0.1%
0-180	3,452.9	100%

LUMENS PER ZONE

Zone	Lumens	% Total	Zone	Lumens	% Total
0-10	108.3	3.1%	90-100	1.7	0%
10-20	311.7	9.0%	100-110	0.1	0%
20-30	477.3	13.8%	110-120	0	0%
30-40	584.7	16.9%	120-130	0	0%
40-50	619.6	17.9%	130-140	0	0%
50-60	574.1	16.6%	140-150	0	0%
60-70	450.3	13.0%	150-160	0.0	0%
70-80	263.2	7.6%	160-170	0.1	0%
80-90	61.6	1.8%	170-180	0.1	0%

APPLETON™

LED LINEAR: NEC/CEC ENCLOSED AND GASKETED

Industrial Rigmaster™ LED Series Luminaires

Enclosed and Gasketed Fixtures

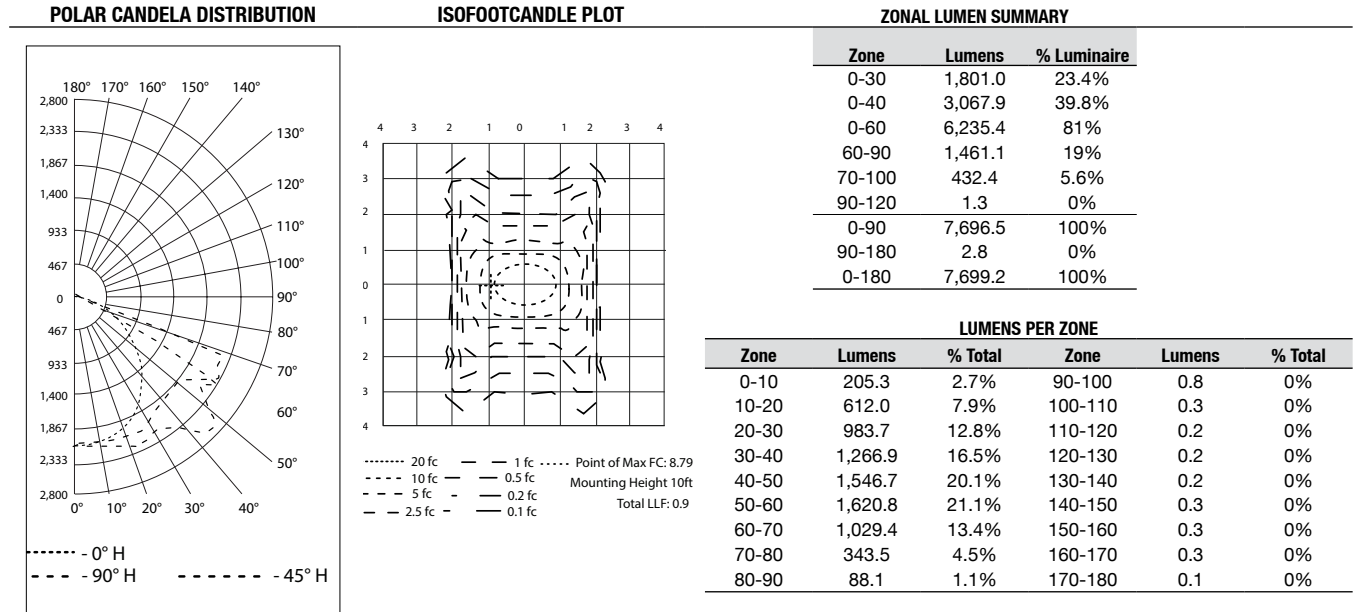
NEC/CEC:
cCSAus Listed
Type 3R, 4, 4X
IP66

NEC/CEC:
Suitable for Use in Wet Locations
Marine Outside Type (Salt Water) For USA Only
American Bureau of Shipping (ABS) Certified

Photometric Data — DATA SHOWN IS ABSOLUTE

4ft, Clear Polycarbonate Lens, 5000K CCT

Luminaire Lumens 7,699.2



4ft, Diffused Polycarbonate Lens, 5000K CCT

Luminaire Lumens 5,860.7

